



**MistMax Pro;** A WaterMist fire skid designed for your UTV or smaller fire fighting vehicle.

CE

**MistMax**™

## MistMax

### Low pressure water mist fire suppression skid

Our modular fire skid is customised to suit your specific fire fighting needs.

The MistMax portable skid provides world class fire fighting performance in an easy to use system.



"65% more efficient water consumption with improved fire fighting"

## Features

Designed to suit most UTV's or small vehicles, our versatile skid offers a portable water mist fire solution for you.

### MistMax features:

- Compact design for fast response
- Durable skid for all weather protection
- Easy to operate for most levels of personnel
- Revolutionary Mist / Jet nozzle
- Quick & easy to refill and maintain
- Proven pump & engine technology

### Water mist features:

- Toxic-free agents for safe fire fighting
- 50 micron multi-purpose mist & foam nozzle
- Designed for most fire risks, A, B, C, E & F
- Little or no collateral damage
- Lower life cycle costs
- 100% environmentally friendly
- No thermal shock or electrical conductivity resulting from discharge
- Totally safe to people and animals



## Portable Skid Units

Unparalleled excellence in fire fighting skid solutions.

- Various options including skid and slide
- Mist and Jet mode
- Robust, high-quality plastic bodies
- Environmentally friendly



## Applications

MistMax is a recommended fire extinguishing solution by UK Fire Brigades, for many industries and applications including but not limited to:

- Education - school, universities, colleges
- Facilities Management
- Fire & Rescue
- Food - industrial catering, food processing plants
- Health Care - hospitals, nursing homes, elderly homes
- Heavy Industry
- Industrial - manufacturing, engineering
- Mining
- Laboratories
- Offshore & Marine
- Public Venues - stadiums, shopping centres
- Civil Protection - military, police, navy
- Transport - airports, ports, rail
- Petrochem - oil & gas



## MistMax Pro

The MistMax Pro unit is a lightweight, compact, pump driven fire fighting unit, encompassing the latest integration of materials, design and functionality, to provide robustness and in turn reliability. This then allows easy training and use in many conditions. The unit is designed to provide the ultimate fire fighting experience in safety, effectiveness and efficiency, utilising FireBug's Patented technology, maximising water preservation along with this the MistMax Pro has an option for a foam induction system to be included within the unit.

The MistMax Pro is therefore the Ideal unit for many installations from coach builders to the end user as a complete drop-in unit. The unit can be therefore acquired in several options, from a complete MistMax Pro with hose reel unit and foam induction system to a single pump unit, with or without reel.



## Technical Data

Engine	
Petrol Engine	Briggs and Stratton Petrol engine 6.5 Gross HP Single-Cylinder Electric and manual starter; oil SAE30
Battery	
12V	12V 18Ah Maintenance-free battery
Pump	
Water Pump	Udor pump, Kappa 65
Foam Additive	
Foam Mixing System	Inline Eductor; Manual injection system Electric selection of tanks
Dimensions with hose reel	
w x h x d	1045 x 565 x 610 mm



## Hose Reel

The bespoke engineered hose reel unit is designed to operate with the MistMax system, and designed to be affixed to the MistMax Pro unit, but can be separated and affixed in an alternative location to suit the requirement.

This ultimately gives the customer choice that they may fit the hose reel unit in a location most applicable to their requirement on the vehicle or affix to the MistMax Pro unit. It is recommended that when the MistMaxPro unit is acquired for a skid unit then it is advisable to affix together the hose reel unit to the Pump unit for rigidity. This is normally based on a skid also available and alternatively one of our bespoke (L) shape designed lightweight water tanks.

## Specifications

Technical Parameters	
Connections	Water Tank to pump connection : 1" Storz coupling Supplementary front connection: 1" Storz coupling Hose connection: 1/2" QRcoupling
Hose	30 m 1/2" Hose reel is plastic formed modular hose reel
Frames & Covers	Plastic base with steel/Alloy coated frame and covers
Valves	Water tank valve: 1" Stainless Steel External Water source valve: 1" Stainless Steel Discharge valve: 1/2" Stainless Steel Foam valve: 1/2 needle valve, 1/2NC 12v solenoid Brass.
Filters	1/2" Y strainer, brass 1" Y strainer, brass



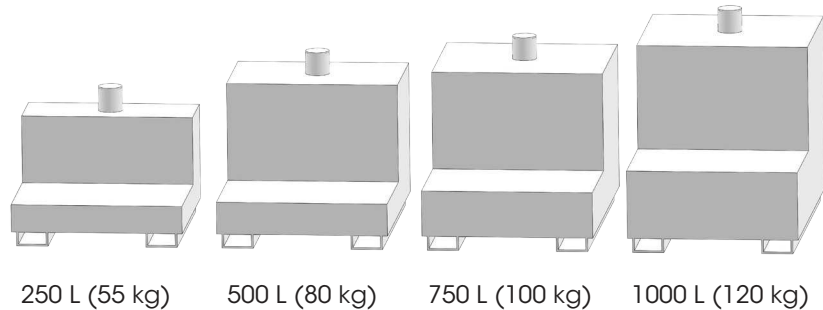
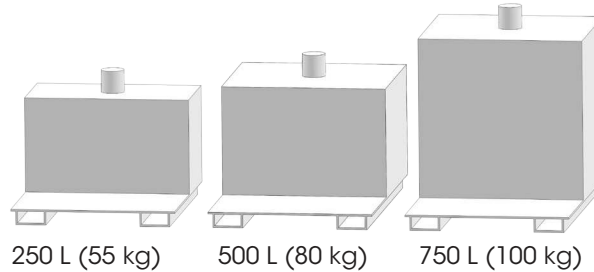
## Tanks

A range of plastic water tanks from 250L to 1000Litres are available to suit the customers requirements aswell as customised options and shapes for specific purpose. The tank combinations are designed to affix to the MistMax Pro unit. However the customer may also attach any of his own tanks if they are suitable.

There are also a selection of smaller tanks e.g. the twin be spoke designed foam deployment system tank, built specially for the MistMax Pro unit. We can also bespoke fuel /oil/ and many other combinations of tanks to suit the most demanding space.

## Specifications

Filling Capacities	
Water Tank Options	Modular water tanks; 250l, 500l, 750l, 1000l plastic
Twin Foam Tanks	Each can hold up to 6 litres
Fuel Tank	3.3 litres



## MistNozzle Mini

The powerful mini mist nozzle is precision manufactured from stainless steel to provide the most robust strength for the harshest environment. The technology on this nozzle maximises water consumption and increases fire fighting performance by using science to extinguish the flames with extreme cooling, rapid oxygen depletion inside the fire only and reducing the speed at which the free radicals are forming eliminating the fuel simultaneously.

This little nozzle not only provides a very high and powerful level of fire fighting it also allows you to have extended use of your water tank. Consuming 25ℓ per minute in Mist mode and 48ℓ per minute in Jet mode. This minimal water usage and enhancement to fire fighting is a unique feature.

The nozzle offers 2 settings mist and jet. The mist mode is used for 90% of extinguishing and cooling with the jet mode for those far to reach places or damping down if required.

## Specifications

Nozzle - Change from jet to mist controlled by twist grip on the branch

Flow Rate	Approx 48liters/min jet mode Approx 25liters/min Mist mode
Throw Distance	Approx 12-14m jet mode Approx 6-8m Mist mode
Working Pressure	20 bar
Fire Fighting Capability	A class fire (solids) B Class (Liquids) C Class (Gas) F Class (Fat) Fires E Class (Electrical) Fires Safe for inadvertent use on electrical fires



**MistMax™**

**Manufactured by  
FB Fire Technologies Ltd**

Matrix@Dinnington Business Centre  
Nobel Way  
Dinnington  
Sheffield  
S25 3QB  
United Kingdom

**[www.firebuggroup.com](http://www.firebuggroup.com)**

**t:** 0845 388 4114

**f:** 0845 388 4115

**e:** [sales@firebuggroup.com](mailto:sales@firebuggroup.com)

**f int:** +44 190 954 7070

**f int:** +44 845 388 4115